

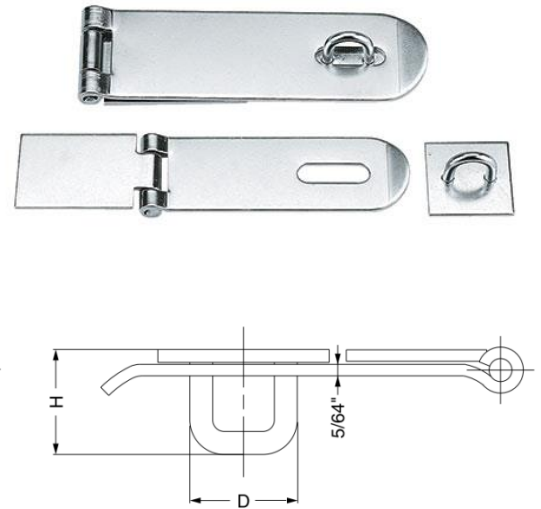
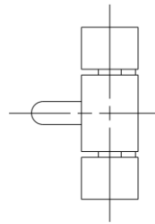
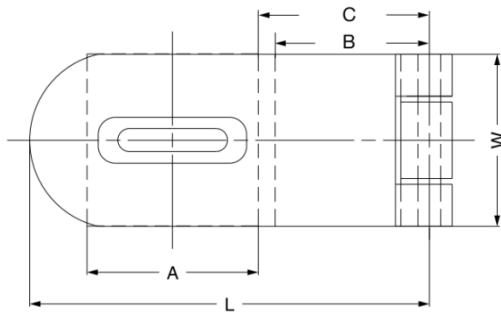
## GHP-6 Stainless Steel 316 Hasp (Weld On)

### Features

- Suitable for harsh and high corrosion environments
- Screw on installation
- Can be used with a padlock

### Material

- Stainless steel 316, electro polished



| Part No. | L     | W    | A    | B    | C     | D    | H    |
|----------|-------|------|------|------|-------|------|------|
| GHP-635  | 88.9  | 38.1 | 38.1 | 33.3 | 41.3  | 23.8 | 20.6 |
| GHP-645  | 114.3 |      |      | 57.2 | 64.3  |      |      |
| GHP-660  | 152.4 | 50.8 |      | 69.9 | 100.4 |      |      |

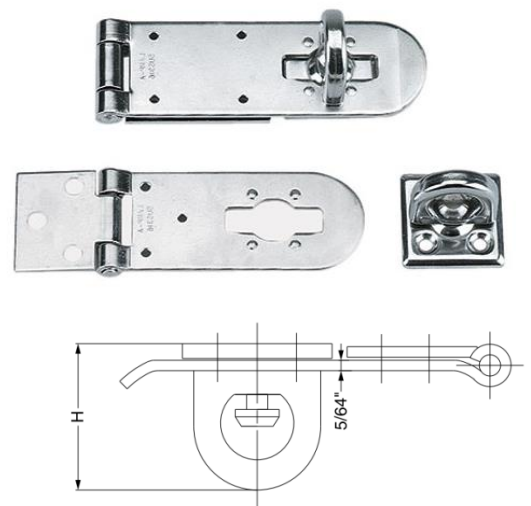
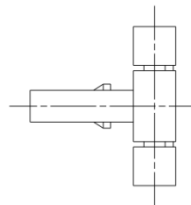
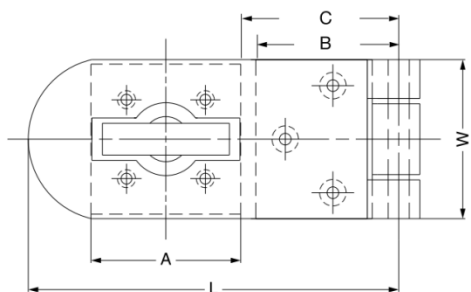
## GHP-6S Stainless Steel 316 Hasp (Screw On)

### Features

- Rotating pad eye stays tightly fastened
- Screw on installation
- Can be used with a padlock

### Material

- Stainless steel 316, electro polished



| Part No. | L     | W    | A    | B    | C    | H    |
|----------|-------|------|------|------|------|------|
| GHP-635S | 88.9  | 38.1 | 38.1 | 33.3 | 40.5 | 34.9 |
| GHP-645S | 114.3 |      |      | 57.2 | 61.9 |      |
| GHP-660S | 152.4 | 50.8 |      | 69.9 | 98.4 |      |